

ReceptionGlass

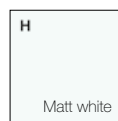


SPECIFICATION SHEET

COUNTERTOPS

Made from 10mm fingerprint-proof back painted tempered glass with a satin white finish. Floating top supported on stainless steel spacers. 45° smooth polished edges and radiused corners.

Finish options:



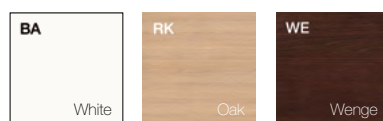
FRONT AND END PANELS

End/side panels made from 18mm easy to clean scratch-resistant anti-reflective melamine faced chipboard (MFC) finished with 2mm impact resistant matching Abs edges.
Straight front panels made from 18mm easy to clean scratch-resistant anti-reflective melamine faced chipboard (MFC) finished with 2mm impact resistant matching Abs edges.
Curved front panels made from 18mm CPL laminate faced chipboard.
End/side & front panels are supplied with adjustable levelling feet for uneven floor surfaces.
Panel density: 670/730 kgs per cubic meter.

WORKTOPS

Made from 30mm easy to clean scratch-resistant anti-reflective melamine faced chipboard (MFC) finished with 2mm impact resistant matching Abs edges. All tops are supplied with one or two ø60mm portholes complete with ABS circular grommet. Panel density: 670/730 kgs per cubic meter.

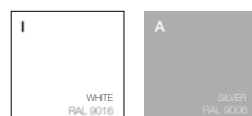
Finish options:



TUBULAR LEGS, FEET AND MOUNTING BRACKETS

Tubular legs made from ø60mm epoxy powder coated steel tube, supplied with levelling feet. Mounting brackets and feet made from epoxy powder coated steel.

Finish options:

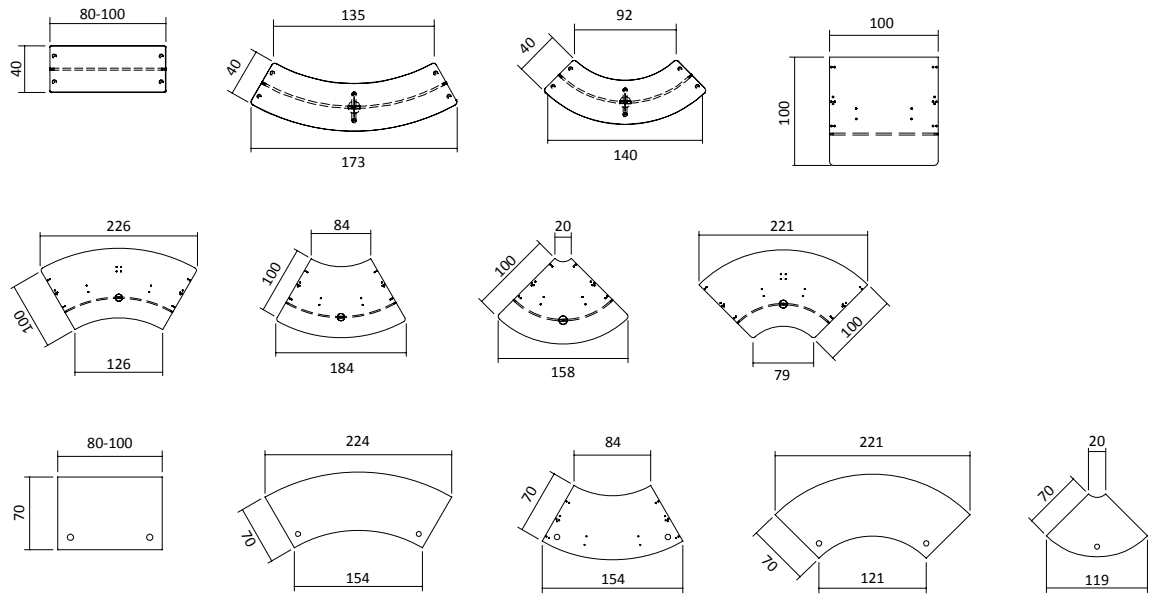


DECORATIVE STRIPES

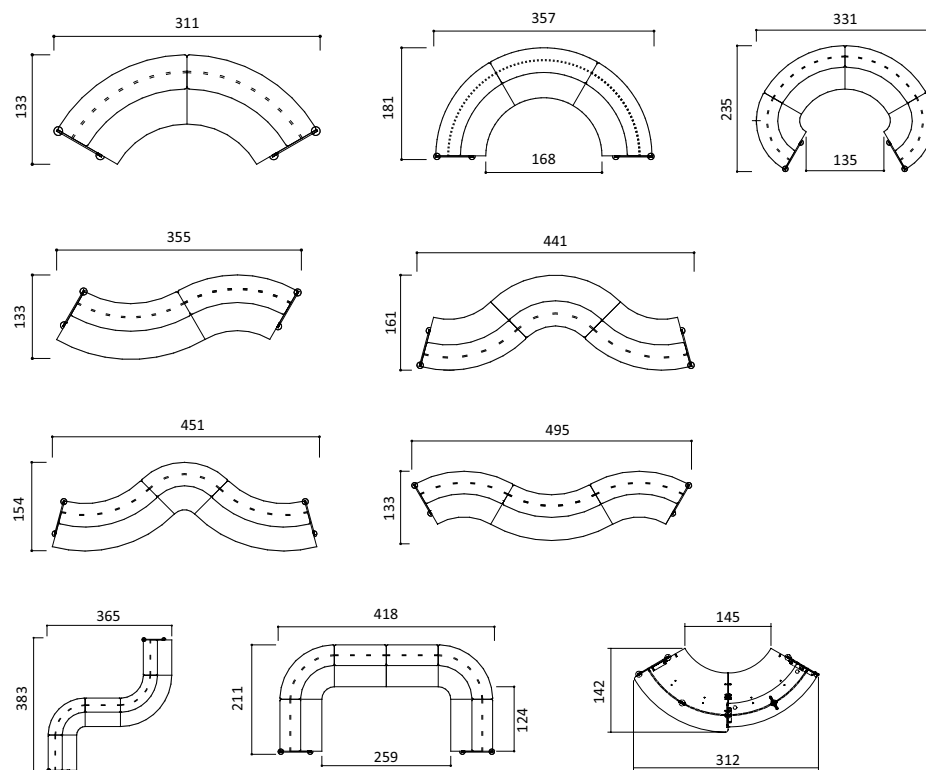
Peel-and-stick (optional) plastic decorative stripes available in a chrome finish.

LAYOUT

MODULES



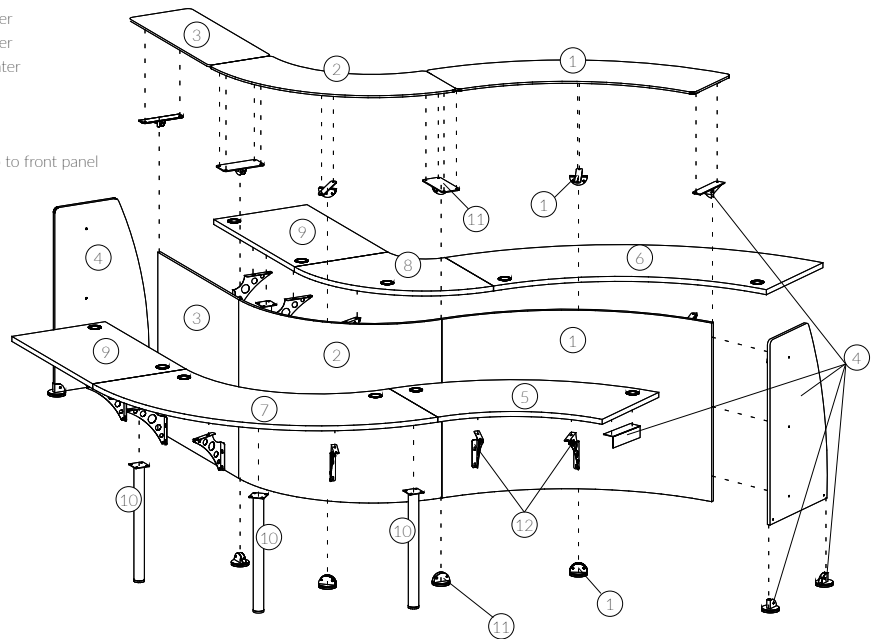
A FEW CONFIGURATIONS



TECHNICAL FEATURES

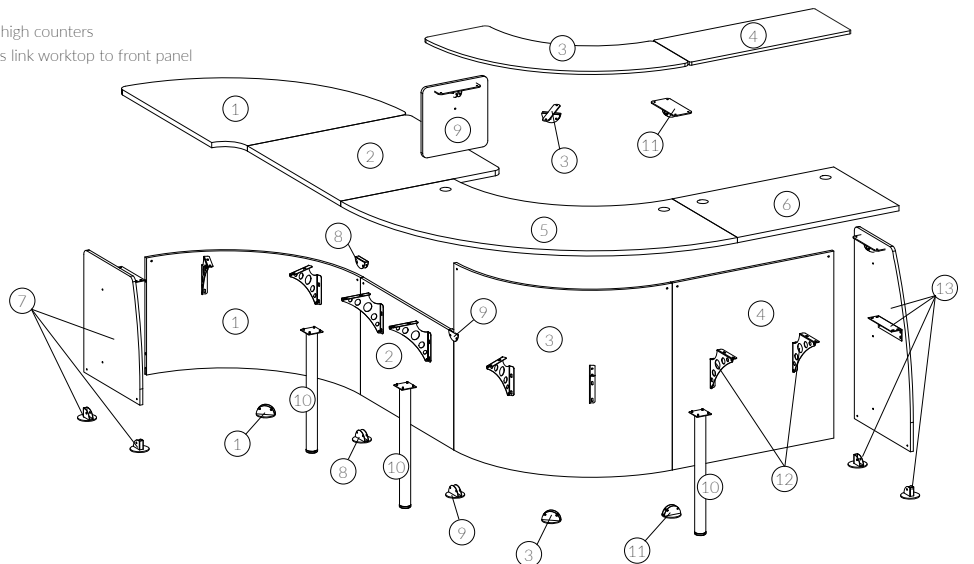
EXAMPLE 1

- 1) REBV060 60° curved high counter with glass countertop
- 2) REBV090 90° curved high counter with glass countertop
- 3) REBV100 1000mm long straight high counter with glass countertop
- 4) REFC001 Pair of end side panels
- 5) REST151 Concave worktop for 60° curved counter
- 6) REST211 Convex worktop for 60° curved counter
- 7) REST201 Convex worktop for 90° curved counter
- 8) REST091 Concave worktop for 90° curved counter
- 9) REST101 Straight worktop for straight counter
- 10) REGA001 Tubular support leg
- 11) RESU001 Linking kit between two high counters
- 12) RESU003 Pair of mounting brackets link worktop to front panel



EXAMPLE 2

- 1) REBM093 90° curved low counter with MFC worktop
- 2) REBM102 Straight low counter with MFC worktop
- 3) REBV090 90° curved high counter with glass countertop
- 4) REBV100 1000mm long straight high counter with glass countertop
- 5) REST201 Convex worktop for 90° curved counter
- 6) REST101 Straight worktop for straight counter
- 7) REFC016 LH low end side panel
- 8) RESU020 Linking kit between two low counters
- 9) REFC014 Linking kit between a high counter and a low counter
- 10) REGA001 Tubular support leg
- 11) RESU001 Linking kit between two high counters
- 12) RESU003 Pair of mounting brackets link worktop to front panel
- 13) REFC012 RH high end side panel



SUSTAINABILITY & CERTIFICATES



MATERIALS AND RECYCLABILITY

Panels used on ReceptionGlass range are exclusively 100% made by recycled wood and respect low formaldehyde emission (CATAS certification Quality Award Formaldehyde E1). Resins used on panels and melamine paper are SVHC substances free (reported on ECHA list update to 12/01/2017).



CERTIFICATIONS

Constantly receptive to market requirements, Quadrifoglio Group pay special attention on quality and safety contents in order to provide high products and services. The Company has reached certifications UNI EN ISO 9001/2008, UNI EN ISO 14001/2004 and BS OHSAS 18001/2007 to confirm his policy. Our products are certified and ensured by FSC™ and ECOLOGICAL PANEL.

COMPANY WITH
MANAGEMENT SYSTEM
CERTIFIED BY DNV GL
= ISO 9001 =
= ISO 14001 =
= OHSAS 18001 =



GREEN ENERGY

The Company had installed the photovoltaic system with 4.500 solar panels in a 7.350 m² surface that covers almost entirely the factory. The photovoltaic is able to produce 1Mw of a quiet green energy, that does not harm the environment and is waste-free. With his high production capacity the photovoltaic allows us to reduce emissions in the atmosphere of all those polluting substances and to those that contribute to the greenhouse effects. Consequently, such measures make us save every year 180 tonne of petrol oil, 440 tonne of CO₂, 514kg of sulphur dioxide, 448 kg of nitrogen oxide and 23kg of dust.



TRANSPORT

Packaging is reduced in order to decrease volumes. Goods collections are responsibly managed and organised with the aim of optimise transports, reducing atmosphere emissions.